

Material: 3/4" Medium Density Fiberboard (MDF)

Each build will be unique and have small variations

-Cut to fit your build.

I recommend Cutting your Side Panels first and drawing out the location of all pieces and your blocking.

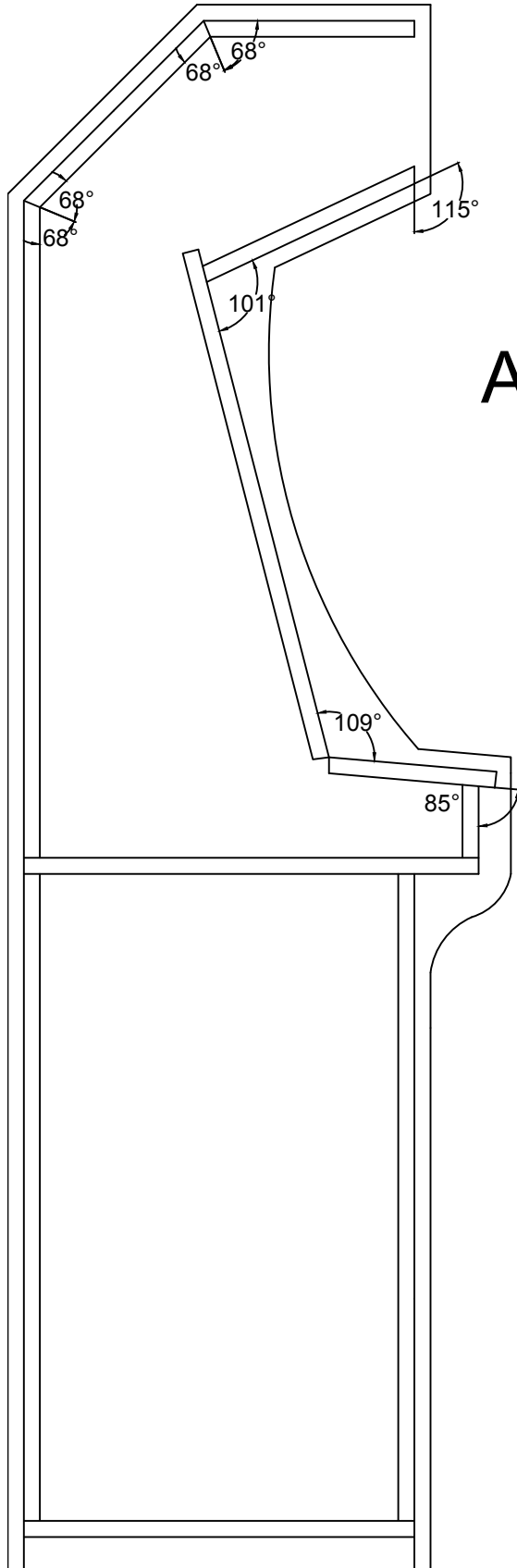
Measure and then cut out the panels to fit your build.

Your panels may be slightly different but use these plans as a starting point for your project!

These plans are provided FREE but donations are gladly accepted

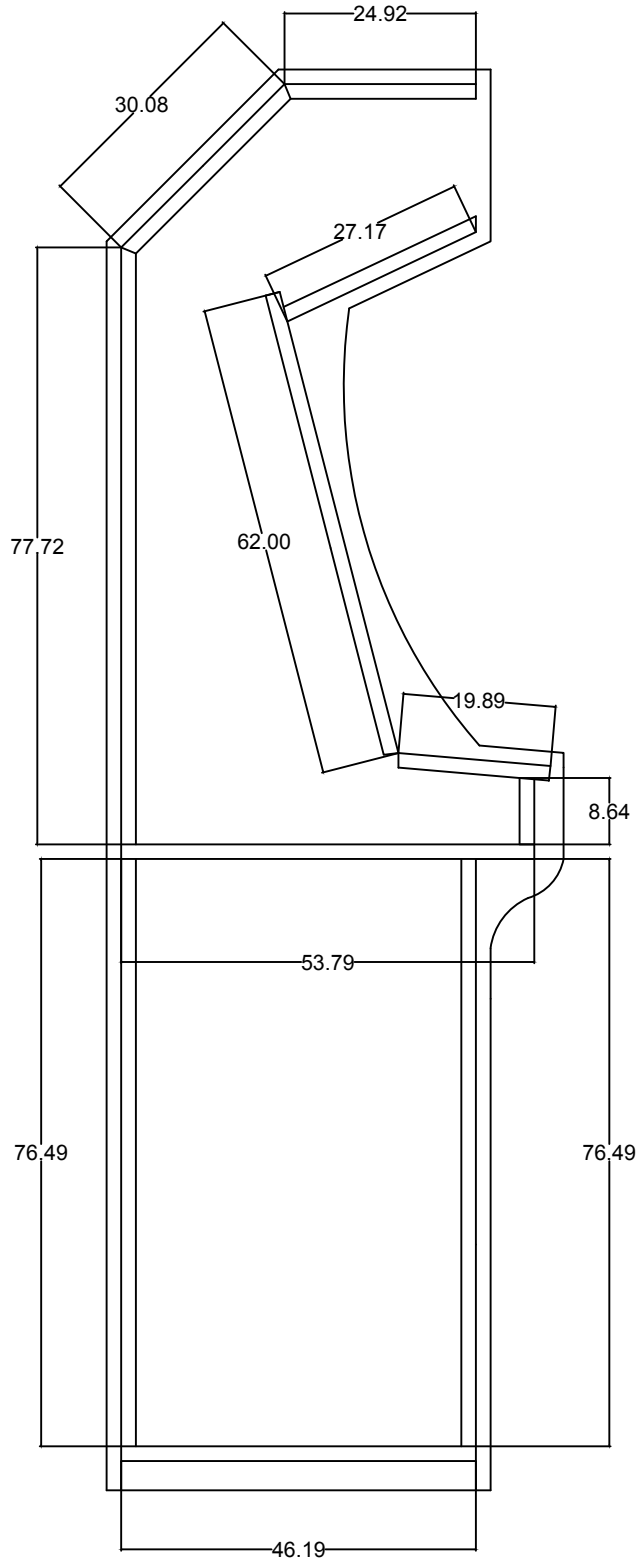
-Mike.

[youtube.com/webuildstuff](https://youtube.com/webuildstuff)

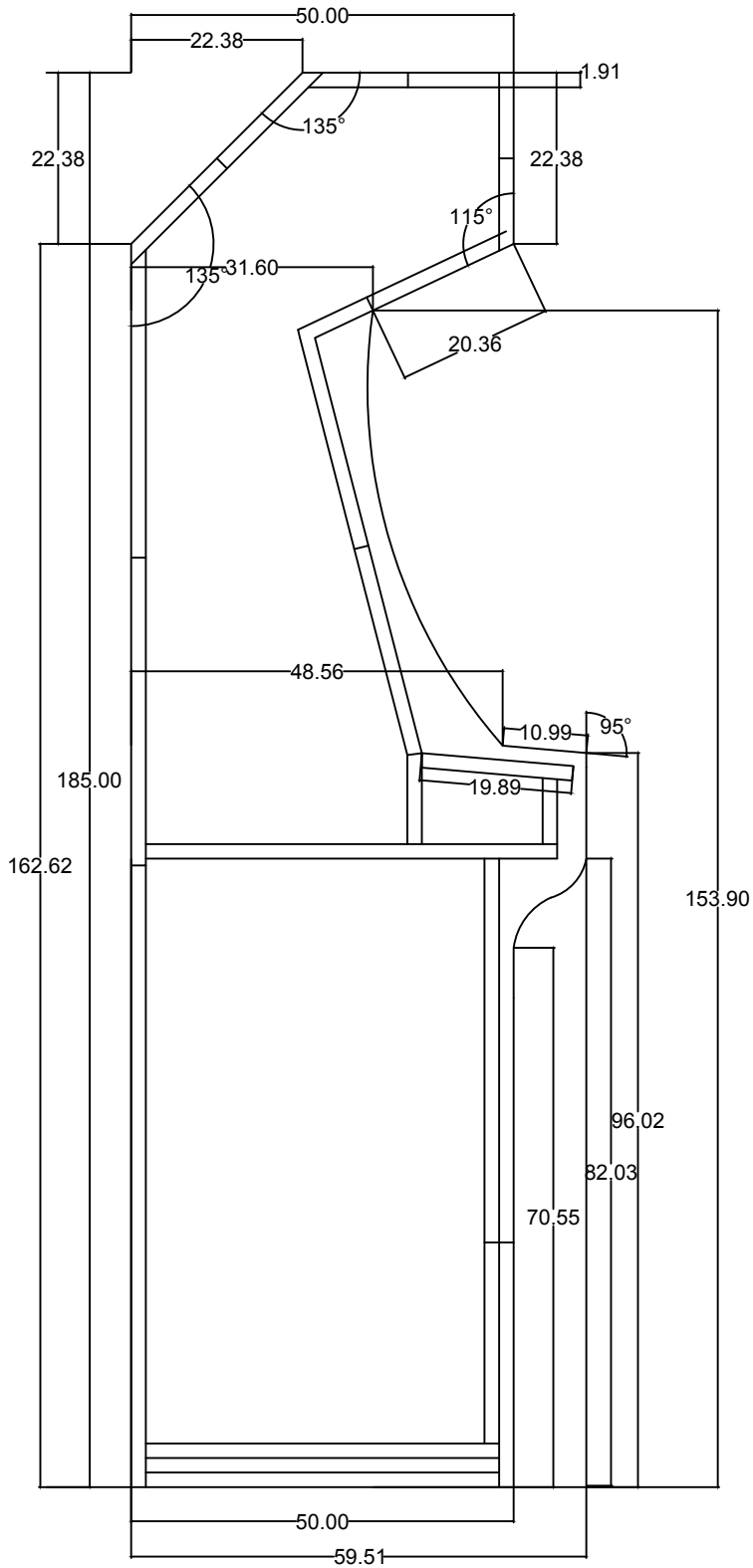


# Angled cuts

# Panel layout



# Side Panel with layout



### Panel Breakout

